



Comfort Tilt™ Press Back



Tilt and Recline

Designed for back only recline for use with stationary style chairs.

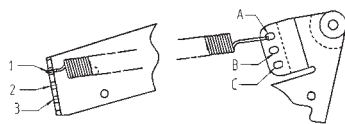
Styling & Design

- Multiple styling capabilities.
- Optional universal KD back system for removable backs.
- Counter balanced design for smoother operation from T.V. position to full recline.
- All metal parts of mechanism are finished with baked-on black enamel. Washers in pivot points.

Performance & Engineering

- Adjustable tension with friction lock.
- Effortless operation...just push on the arms and the back reclines. No handles or release system required.
- Heavy duty eight gauge steel mounting bracket linkage.
- Plastic bushings on pivot points provide enhanced durability and smooth operation.

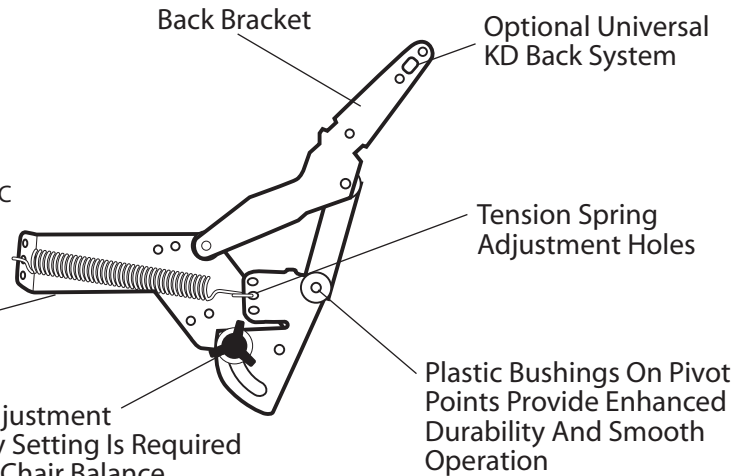
Spring Placement Options



9 Options: 3A, 1A, 2B, 3B, 2A, 1B, 2C, 1C 3C
(Strongest to Weakest)

Heavy Duty Eight Gauge Steel Mounting Bracket Linkage

Tension Adjustment
Pre-Factory Setting Is Required
For Proper Chair Balance



Reading Position



Recline



Sectional



Sofa



Love Seat



Single

Leggett & Platt
INCORPORATED

P.O. Box 757 • No. 1 Leggett Road • Carthage, MO 64836

Toll Free: 800-888-4569 1-417-358-8131

Fax: 417-358-6996 (International 1-417-358-6667)

E-Mail: hfc@leggett.com (international@leggett.com) • See us on the web at: www.homefurniturecomponents.com