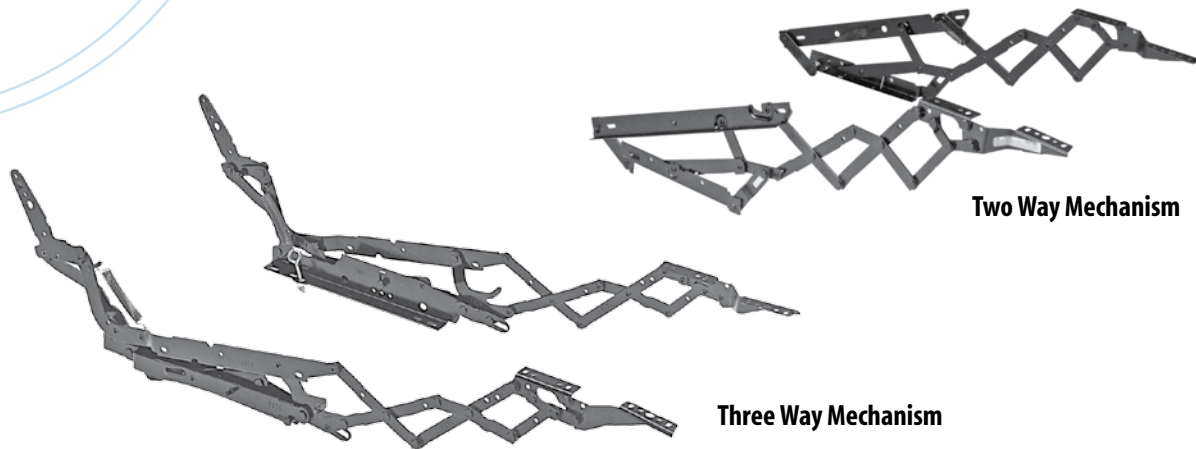


High Style™

Two or Three Way Mechanism



High Style™

Styling & Design

- Available sizes for small, medium and large chairs
- Opens smoothly with a push on the arm and closes easily with simple leg pressure
- Rail mounting allows for the ultimate in high leg design
- Compact chassis is designed to operate in a wide range of chair sizes

Performance & Engineering

- A balanced recliner mechanism with optimum reclining performance for high leg chairs
 - Improved linkage design keeps ottoman closed tightly
 - Excellent footrest pitch and support
 - Safety ottoman brackets meet C.P.S.C. voluntary safety standards with an articulated elevated bracket optional
 - Back stabilizing bracket stabilizes back in closed position
 - Back tension adjustment allows back pressure to be adjusted to fit the individuals desired comfort
 - Engineered bushings at all pivot points for smooth operation and long life
 - Counter balanced recline for ease of operation and infinite full recline positions
 - Positive stops maintain a tight back and ottoman in the closed, TV, and full recline positions
- Long Life™ mechanism has been field tested and proven by L&P testing facility.



P.O. Box 757 • No. 1 Leggett Road • Carthage, MO 64836
Toll Free: 800-888-4569 1-417-358-8131
Fax: 417-358-6996 (International 1-417-358-6667)
E-Mail: hfc@leggett.com (international@leggett.com)
See us on the web at: www.homefurniturecomponents.com



Quality For Living...
Quality For Life™